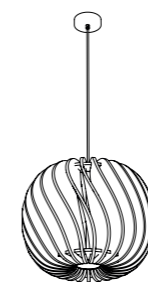


Twist



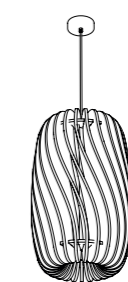
Twist is a tornado of light. The direct downlight radiates a high light output from its acoustic body. Due to the massiveness and curled shades of the lamp, Twist scores high in its absorption and diffusion value!



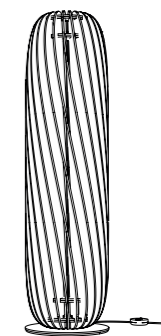
Twist light low



Twist light mid



Twist light high



Twist light floor



Twist acoustic floor



Material:
 PET Felt (polyethylene terephthalate)
 Fireclass: EN13501-1 Class B-s1-d0
 Assembled in The Netherlands

Fixture:
 2m black textile cable
 Black ceiling cap

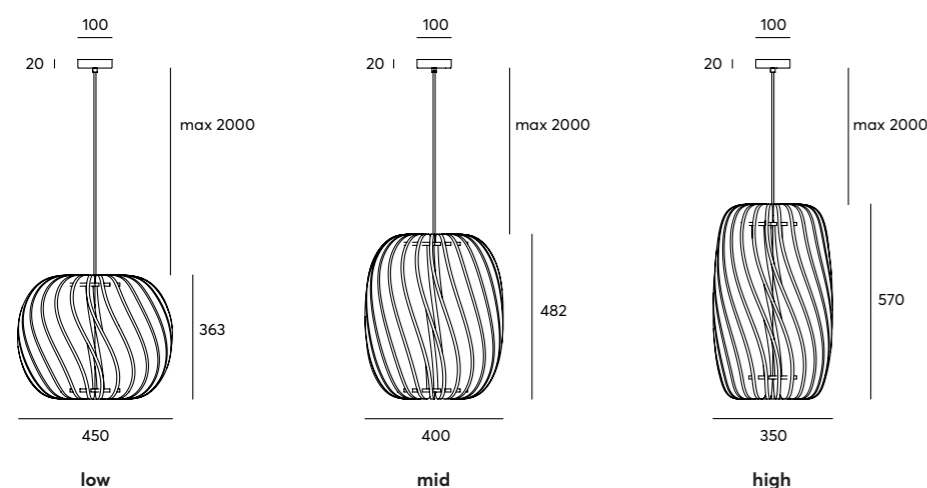
Lighting properties:

Integrated LED
 9W | 500lm
 Dimmable
 Trailing edge (RC)
 CCT 2700 | 3000K | 4000K
 IP20

Acoustic properties:

Absorption: aw=0,45
 Diffusion

Measurements:



Colors:

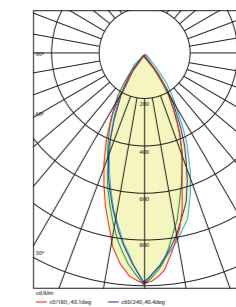


Light source specifications:



LED power:	9W
Connection voltage:	220-240V AC
Luminous Flux:	500lm
Frequency:	47-63Hz
Driver:	Included Integrated
Control Dimmable:	Trailing Edge
Power factor:	109lm/W
Beam of light:	40°
CCT Color temperature:	2700K 3000K 4000K
CRI:	Ra >80
UGR:	<17
Operating temperature:	-20 ~ +45

Photometrics:
 Lumen intensity distribution



Acoustic specifications:

Our models are currently being tested for their improved acoustic value

Order code:

é17			é17.... / / /	
Model	Version	PET Felt color		LED color		Dimming technology					
é17	low mid high	01 02 03	color	#	2700K 3000K 4000K	1 2 3	dimmable RC (trailing edge)	B			

For example: é1702/39/2/B
 Twist light mid / Warm Grey / 3000K / dimmable RC (trailing edge)

Twist light floor



Material:
 PET Felt (polyethylene terephthalate)
 Fireclass: EN13501-1 Class B-s1-d0
 Assembled in The Netherlands

Fixture:
 2m black textile cable with floor switch and europlug
 With metal inside and base plate

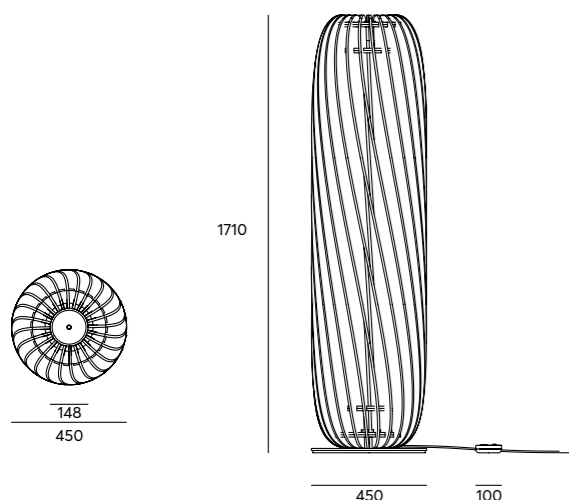
Lighting properties:

- Integrated LED
30W | 3115lm
- Dimmable
Trailing edge (RC)
- CCT
3000K | 4000K
- IP20

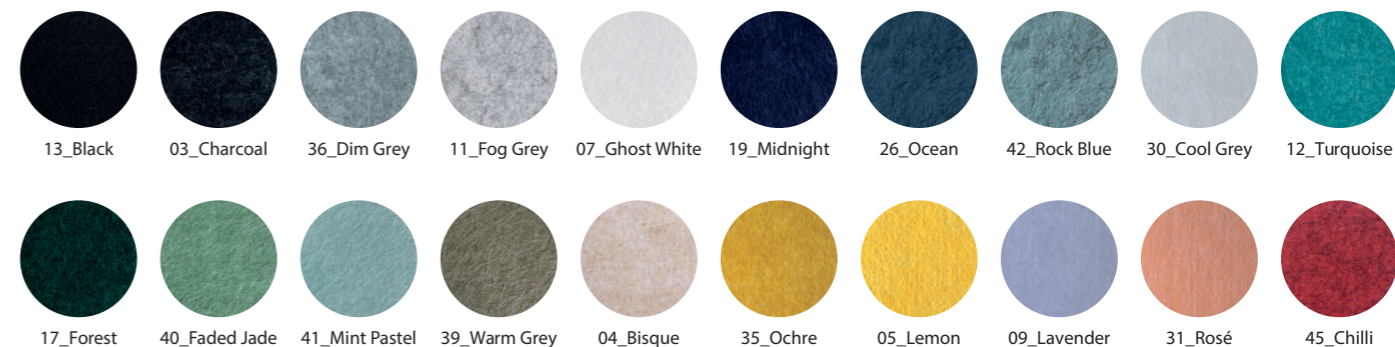
Acoustic properties:

- Absorption: $a_w=0,45$
- Diffusion

Measurements:



Colors:

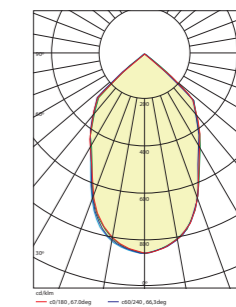


Light source specifications:



LED power:	30W
Connection voltage:	220-240V AC
Luminous Flux:	3115lm
Frequency:	47-63Hz
Driver:	Included Integrated
Control Dimmable:	Trailing Edge
Power factor:	104lm/W
Beam of light:	60°
CCT Color temperature:	3000K 4000K
CRI:	Ra >80
UGR:	<16
Operating temperature:	-20 ~ +45

Photometrics: Lumen intensity distribution



Acoustic specifications:

Our models are currently being tested for their improved acoustic value

Order code:

é17			é1704 / / /	
Model	Version	PET Felt color		LED color		Dimming technology					
é17	floor	04	color	#	2700K 3000K 4000K	1 2 3	dimmable RC (trailing edge)	B			

For example: é1704/36/2/B
 Twist light floor / Dim Grey / 3000K / dimmable RC (trailing edge)

Twist acoustic floor



Material:
 PET Felt (polyethylene terephthalate)
 Fireclass: EN13501-1 Class B-s1-d0
 Assembled in The Netherlands

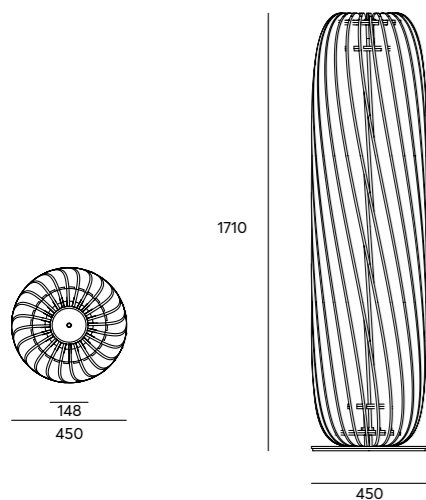
Fixture:
 Metal inside and base plate

Acoustic properties:

 Absorption: $\alpha_w=0,45$

 Diffusion

Measurements:



Colors:



Acoustic specifications:

Our models are currently being tested for their improved acoustic value

Order code:

é 18			é 1804 /.....	
Model	Version	PET Felt color					
é 18	floor	04	color	#			

For example: é 1804/41
 Twist acoustic floor / Mint Pastel