

Senator

i-Workchair

i-Workchair is an intelligent seating solution developed to overcome the barriers of creating a flowing working environment. It has the ability to replicate a myriad of micro movements with ease and comfort, bringing a new generation of reclining action to synchronise with and replicate the body's natural pivot points, providing a seamless transaction between upright and reclined postures.

i-Workchair utilises a multi layered approach combining a technical weave fabric that sandwiches a 3D cut perforated foam core, optimising user comfort while allowing excess heat to vent away from the back muscles, discouraging fatigue.

Design by Justus Kolberg



Standard Features (*Selected models only)

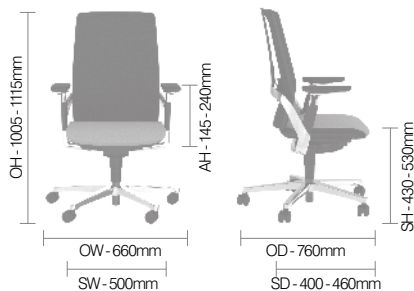
65mm hard wheel castors
Aluminium back frame
Synchronised mechanism with tension adjustment and back locking function in 3 positions
80mm Adjustable lumbar
60mm Seat depth adjustment
Height adjustable arms with multifunctional armpad*
Height adjustable arms with 4D armpad*

Technical inner and outer back fabric with 3D cut perforated foam core
Dual density seat foam
Back pivot buffers

Optional Features

60mm Black soft wheel casters with a Chrome ring wheel inlay
65mm soft wheel castors

DIMENSIONS



Design by Justus Kolberg

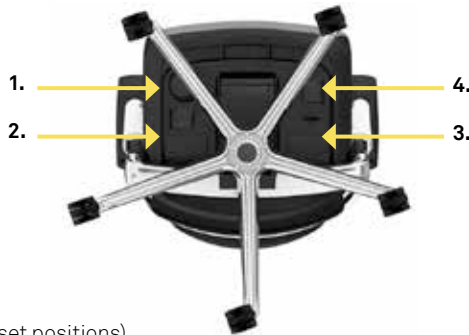
“With so much to think about and so many things to move and adjust the skill is in the seamless transition and flow from one element to the next and one material type to another, this is where the form and the

proportions of each element is key and must be fully considered so that in the end the final appearance is exquisite and balanced and we can readily say I want one of those.”

Senator

i-Workchair

MECHANISM AND USER CONTROLS



1. Tilt Tension (rotational control with 7 preset positions)
2. Seat Height (pneumatic spring with infinite adjustment)
3. Seat Depth (60 mm adjustment with 6 preset positions)
4. Back Lock (3 present positions - 0°, 9°, 19°)

TILT ACTION WITH 22° OF MOVEMENT

Incorporating three position back lock; 0°, 9°, 19°

0°



9°



22°



LUMBAR

80mm of vertical adjustment in eight steps



Senator

i-Workchair

ARM PAD MOVEMENT



The arm pad features a two stage rotation, the lower element can rotate through 4 positions giving 40° of movement.



The second stage is the upper element which can rotate through a further 4 positions giving 70° of movement.

ARM HEIGHT



100mm of adjustment in ten preset positions

ARM PAD DEPTH



100mm of adjustment in ten preset positions



Senator

i-Workchair

FINISH OPTIONS

Black plastic base and Aluminium back frame finished in Black powder coat, black plastic components and black gas lift with a black plastic shroud. (WRK140MF and WRK140FD)

Aluminium base and back frame finished in Flint Grey powder coat, graphite plastic components and graphite gas lift with a graphite plastic shroud. (WRK240FD and WRK240MF)

Polished Aluminium base and back frame, black plastic components and black gas lift with a black plastic shroud. (WRK340FD and WRK340MF)

Technical fabric on inner, outerback and seat side available in Jet, Fossil, Vibe, Force, Shadow Or Indigo

MESH COLOURS



Jet



Fossil



Vibe



Force



Shadow



Indigo

BASE & BLACK FRAME COLOURS



Black



Flint Grey



Aluminium

COMPONENT COLOURS



Black



Anthracite

Senator

i-Workchair

i-Workchair is an intelligent seating solution developed to overcome the barriers of creating a flowing working environment. It has the ability to replicate a myriad of micro movements with ease and comfort, bringing a new generation of reclining action to synchronise with and replicate the body's natural pivot points, providing a seamless transaction between upright and reclined postures.

i-Workchair utilises a multi layered approach combining a technical weave fabric that sandwiches a 3D cut perforated foam core, optimising user comfort while allowing excess heat to vent away from the back muscles, discouraging fatigue.

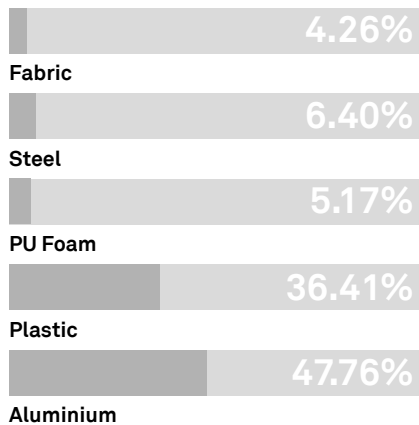
Design by Justus Kolberg



ENVIRONMENTAL

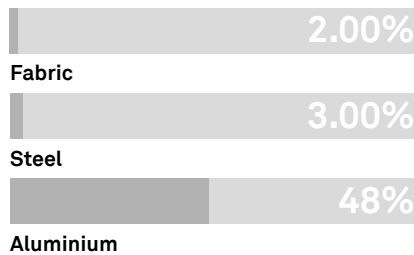
Material Content

Components are constructed of the following



Recycled Content

Contains up to 53% of Recycled Material



Recyclability

The range is 100% recyclable

100%

SENATOR 3 R'S

Senator is committed to continually improving the sustainability of all environmental aspects within our business.

To meet both international standards and our own environmental targets we apply the three R's principle

-Reduce, Reuse and Recycle.

Whilst recycling is the element which receives the most exposure it is actually

the last option available and should never be the prime target in anyone's battle to reduce waste.

It is our duty as individuals and as a company to initially attempt to **Reduce** usage. Then we should look to **Reuse** wherever possible and finally, only after these two processes have been exhausted, should we consider **Recycling**.

-Reduce -Reuse -Recycle